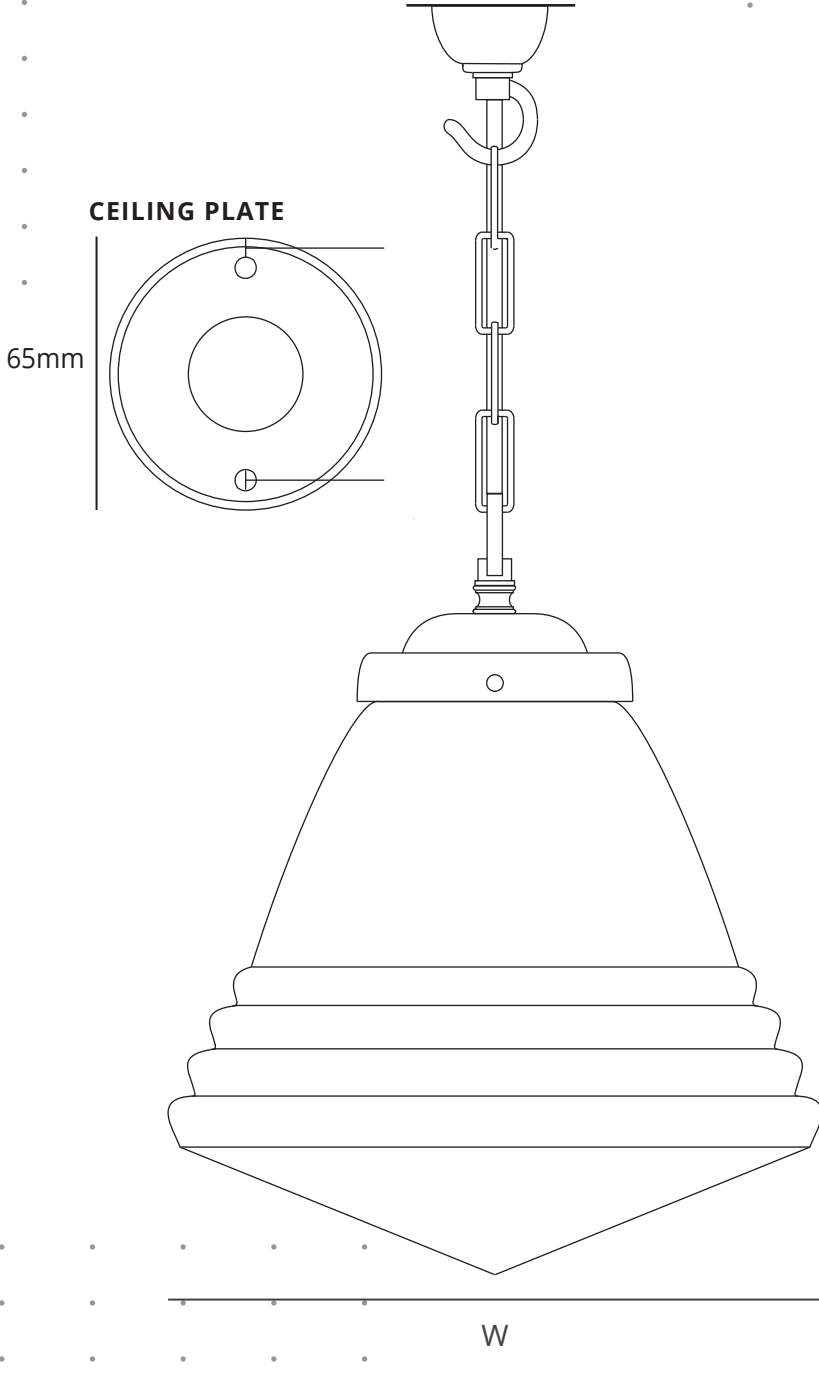


# FRITZ FRYER

## RETRO CAFE LAMP

SPECIFICATION	WEIGHT (g)	PRODUCT CODE	BULB CAP	MAX. WATTAGE	IP RATING	W (mm)	H (mm)
MEDIUM	1640	FFP-CAFE-WHT-L	E27	60	IP20	256	307



Various metal and feed colours available. See website for further information.

Weights and measurements are approximate. Cable length 100cm, bespoke cable lengths, colours and ES fittings are available on request.

theLIA MEMBER

CE

EST 1982  
**FRITZ FRYER**  
LIGHTING SPECIALISTS

This luminaire is compatible with bulbs of the energy classes:

A+  
A\*  
A  
B  
C  
D  
E

874/2012