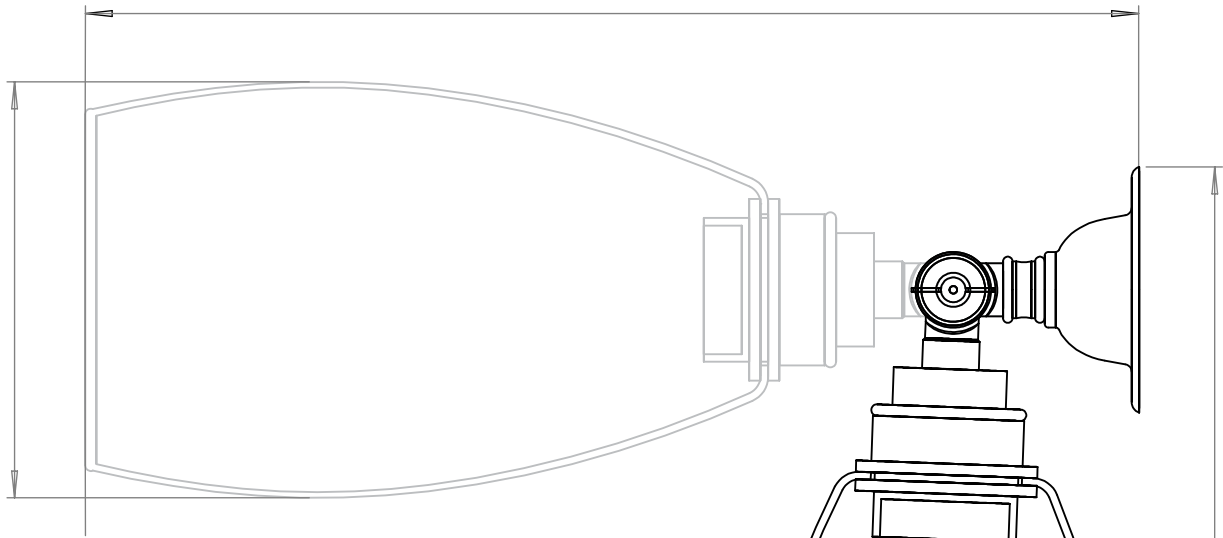


**UPTON ADJUSTABLE SPOTLIGHT**  
SKU:UP-SPL

| SIZE   | WEIGHT | LAMP HOLDER | MAX WATTAGE | IP RATING |
|--------|--------|-------------|-------------|-----------|
| MEDIUM | 575G   | E27         | 8W          | IP20      |

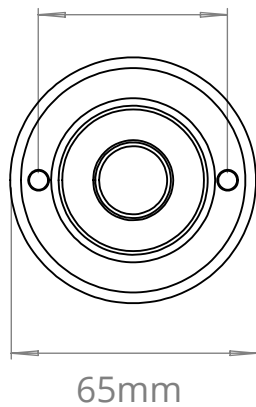
**PROJECTION**  
279mm

**WIDTH**  
110mm



**HEIGHT**  
264mm

**BACK PLATE**  
50mm



■ All of our glass shades have a tolerance of 5mm and therefore weights may vary